



# Introducing Marvell's Third Generation Brightlane™ Ethernet Switch

Industry's most advanced platform for automotive security and safety

May 31, 2022

# Marvell® Brightlane™ solutions transform automotive



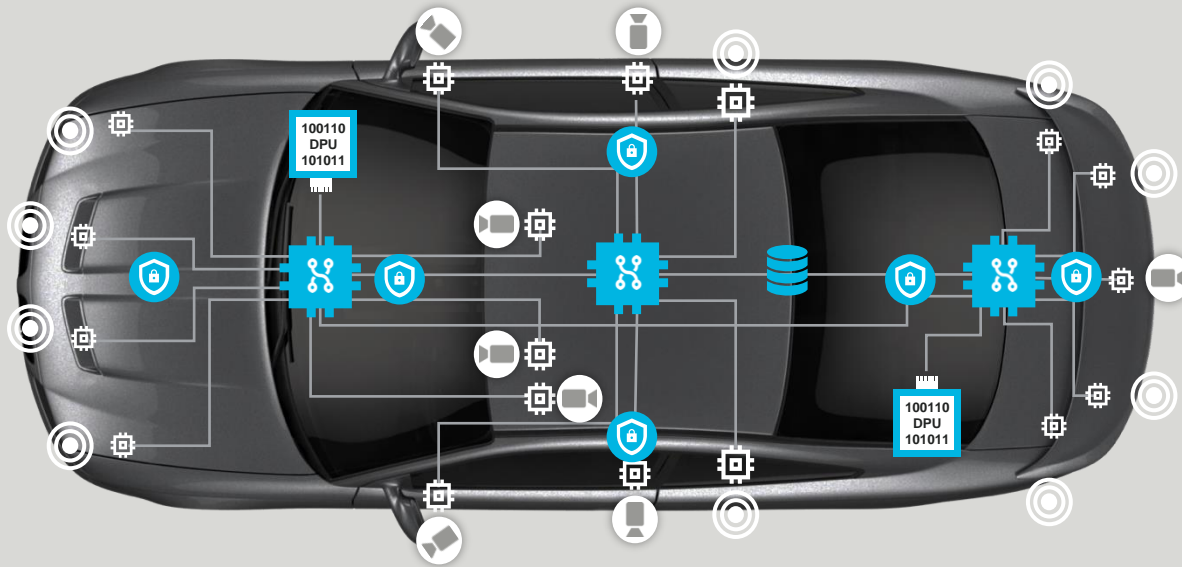
Smarter



Safer



Greener



Ethernet



Compute



Security



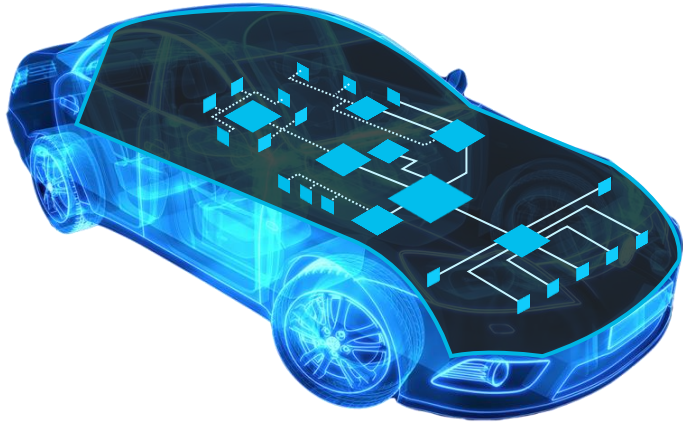
Storage

**Leading with Ethernet networking, expanding with custom compute**

# Fastest growing automotive Ethernet company

## Industry-leading products

- Secured switch
- Gigabit Ethernet PHY
- 10 gigabit Ethernet PHY
- Ethernet camera bridge
- Built on 2000+ Ethernet patents



**30+ Brightlane™ products, 30 OEMs design wins: 8 of top 10**

# Transition to software-defined vehicles

Yesterday: One time buy

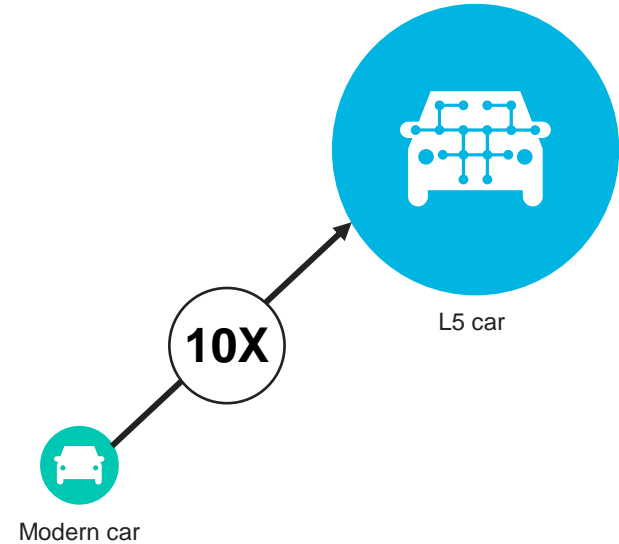
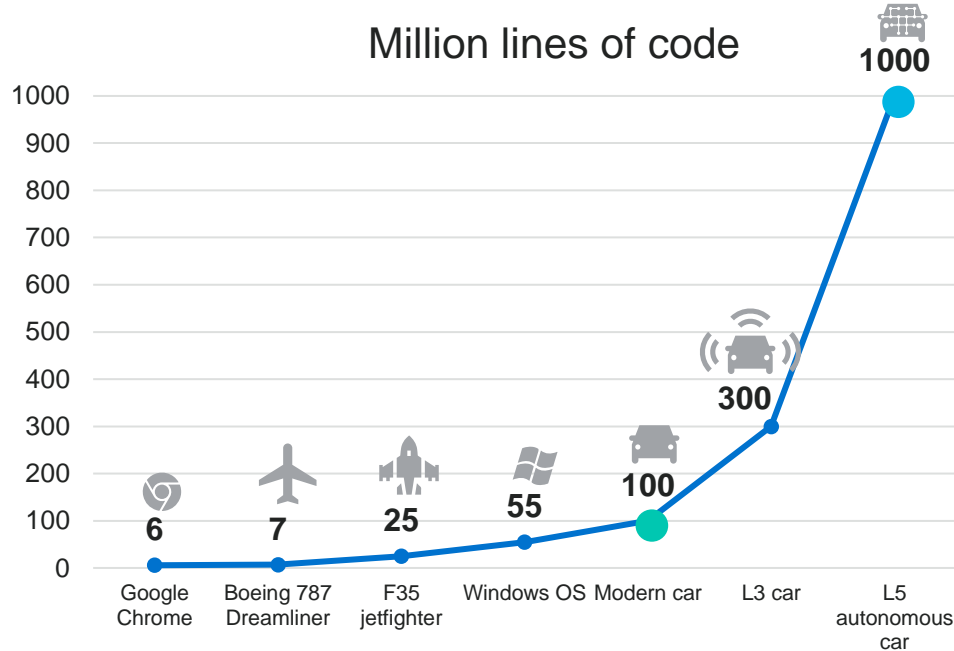


Tomorrow: Pay as you go



**Enabled with OTA cloud connectivity**

# Transition to software-defined vehicles



**More software + connectivity → greater security threat surface**

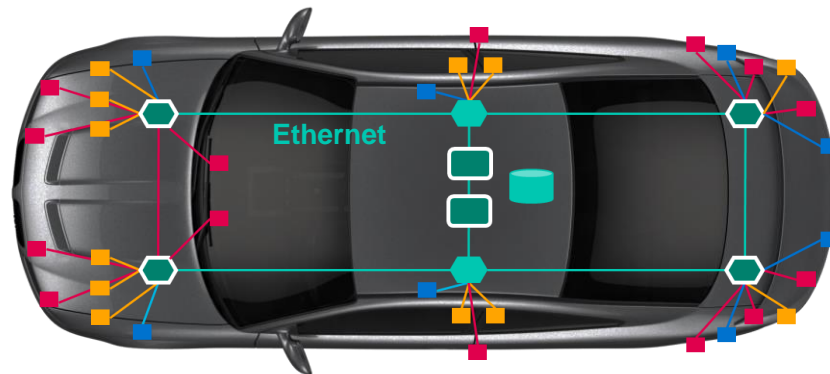
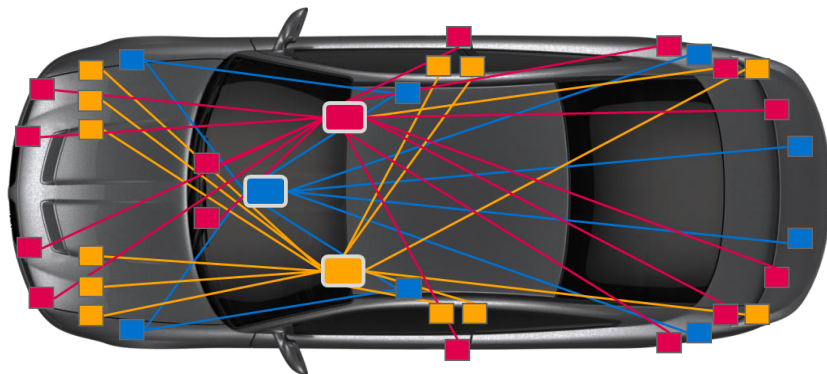
Source: VW

© 2022 Marvell. All rights reserved.

# Transition to zonal architecture

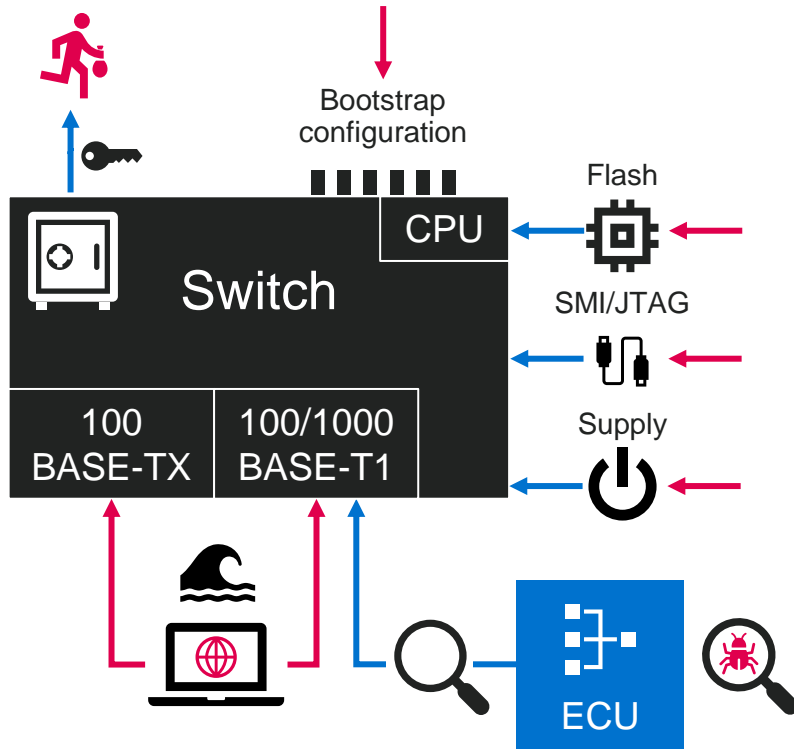
Point to point, rigid, expensive

Networked, secure, scalable, intelligent



**Ethernet is the enabler**

# Automotive security environment



## Areas to secure

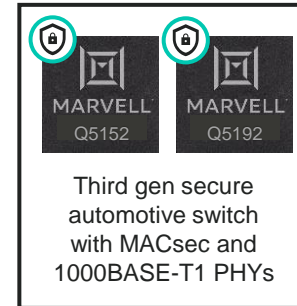
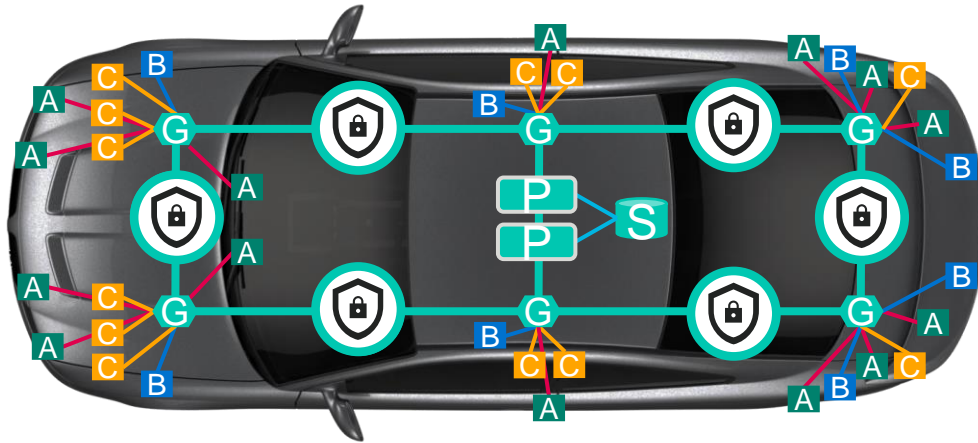
- Firmware image
- Device configuration
- Data exchange
- Redundancy and integrity

## Example threats

- Prevent or alter configuration
- Steal private information
- Disrupt traffic transmission/reception

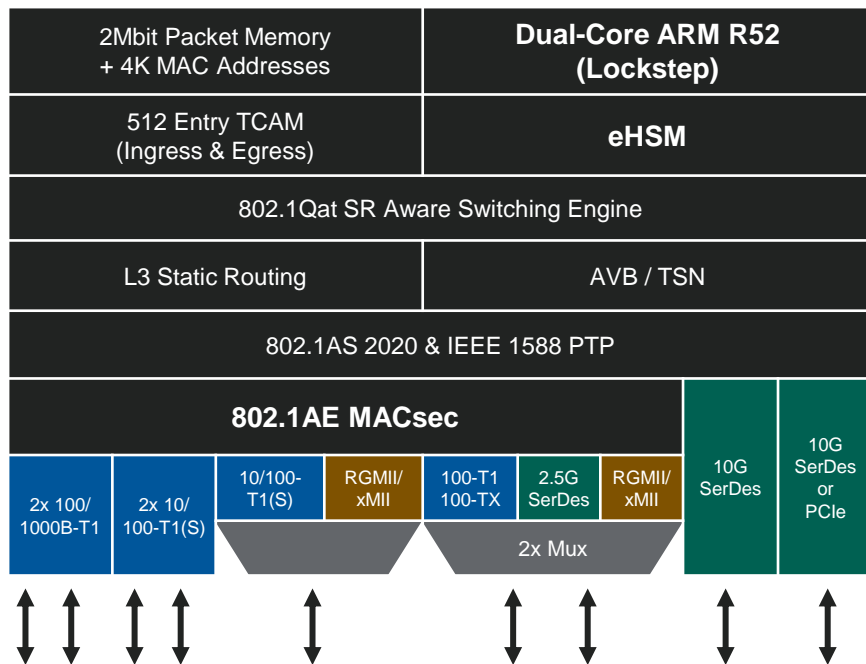
# Introducing third gen Brightlane™ Ethernet switch

- Most comprehensive and advanced Ethernet switch for automotive security and safety
- Integrated MACsec and PHYs, embedded HSM and dual-core lockstep CPU redundancy
  - Secures Layer 2 and encryption keys
  - Mitigates intrusion, man-in-the-middle, replay attacks





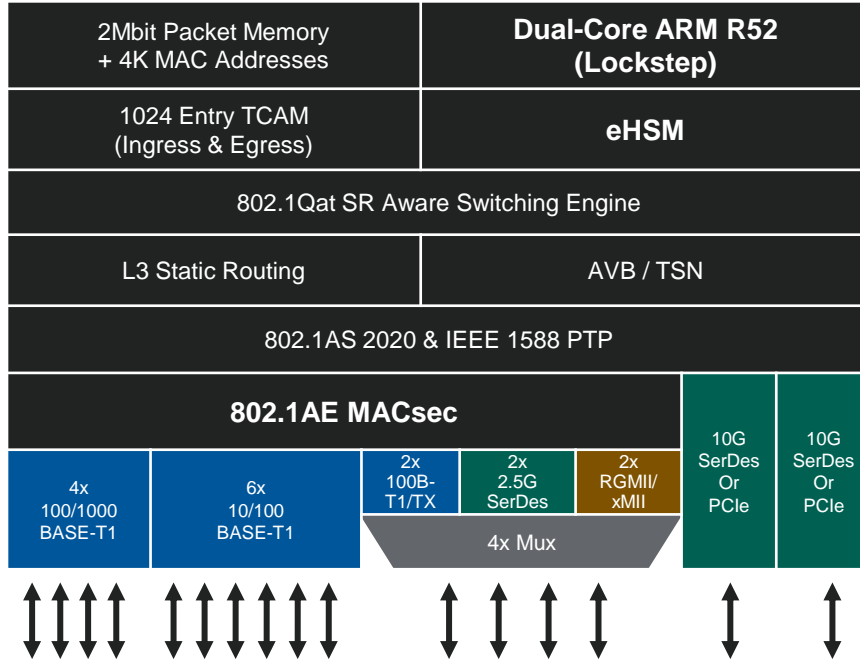
# Third generation 88Q5152 Ethernet switch



## Industry-leading feature set

- Integrated 1000BASE-T1, 100BASE-T1, & 10BASE-T1S PHYs
- 802.1AE MACsec
- Dual-core ARM R52 CPU operating in lockstep
- eHSM for secure key management
- AEC-Q100 Grade 2 (-40°C to +105°C)
- 9-port switch in 15x15mm BGA

# Third generation 88Q5192 Ethernet switch



## Industry-leading feature set

- Integrated 1000BASE-T1, 100BASE-T1, & 10BASE-T1S PHYs
- 802.1AE MACsec
- Dual-core ARM R52 CPU operating in lockstep
- eHSM for secure key management
- AEC-Q100 Grade 2 (-40°C to +105°C)
- 16-port switch in 19x19mm BGA

# Enables safe, secure in-vehicle networking



Dual core lockstep  
CPU redundancy  
for safety



Layer 2 security  
through integrated  
MACsec



ISO 26262  
collateral and  
ASPICE software

# Sampling now

## 88Q5152

9-port secure switch  
with 1000/100/10BASE-T1 PHYs  
and MACsec 15x15mm BGA



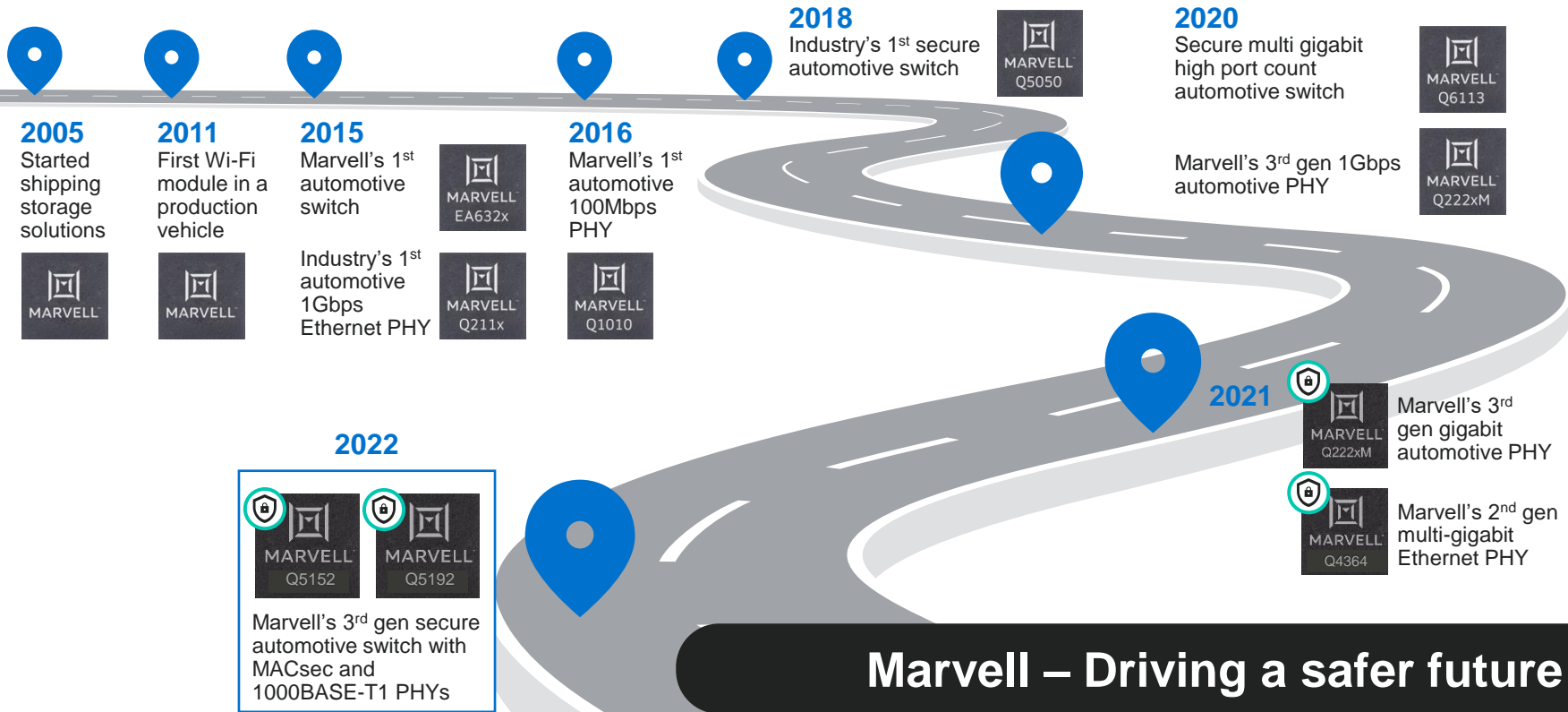
## 88Q5192

16-port secure switch  
with 1000/100/10BASE-T1 PHYs  
and MACsec 19x19mm BGA



Development boards for  
88Q5152 and 88Q5192

# Extending IVN leadership with 88Q5152/88Q5192



**Marvell – Driving a safer future**

# Summary: Third Gen Brightlane™ Ethernet Switch



Extends Marvell's automotive leadership in secure Ethernet IVN

---



Industry's most advanced and comprehensive security and safety solution

---



First to integrate MACsec, PHYs, dual core lockstep CPU and eHSM

---



ASPICE software and ISO 26262 collateral



Essential technology, done right™